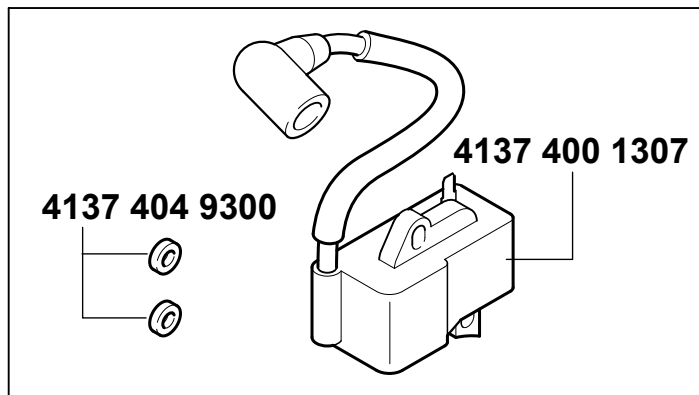


FS  
FR  
FH  
HL  
HLR



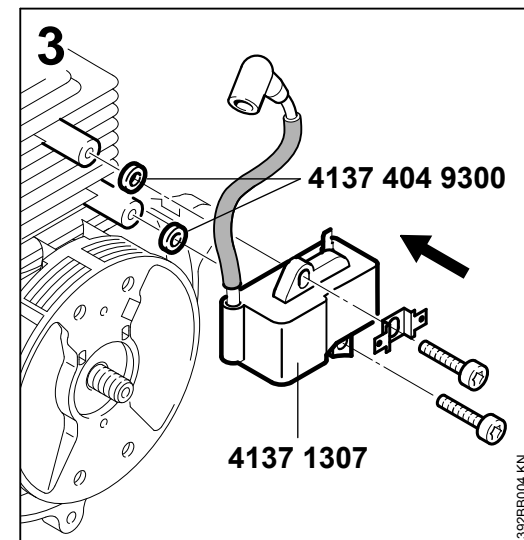
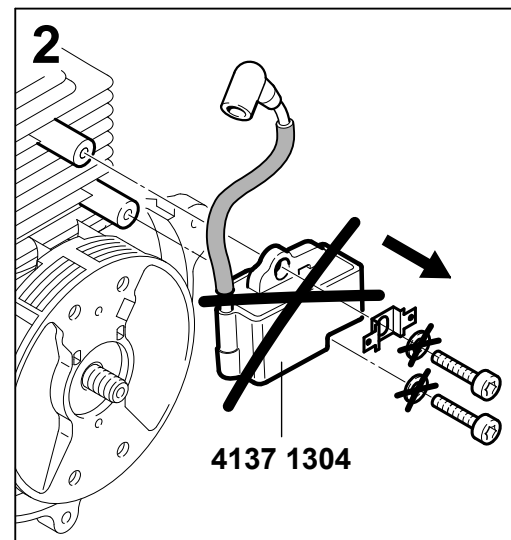
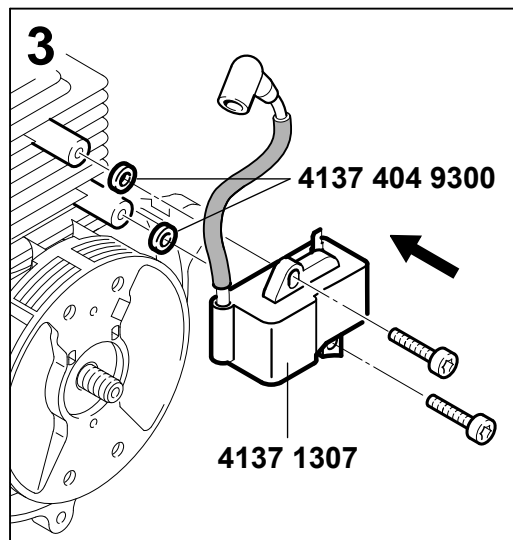
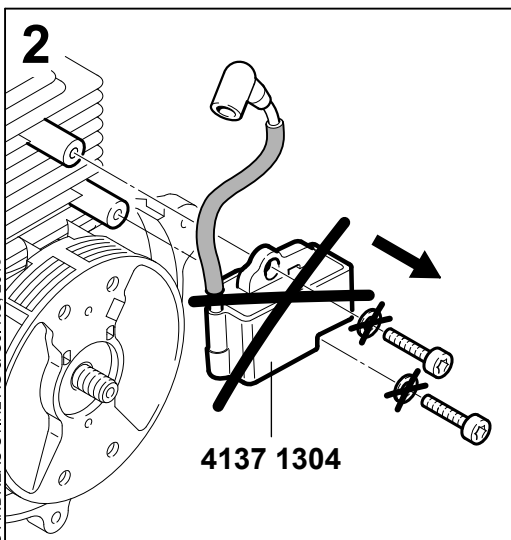
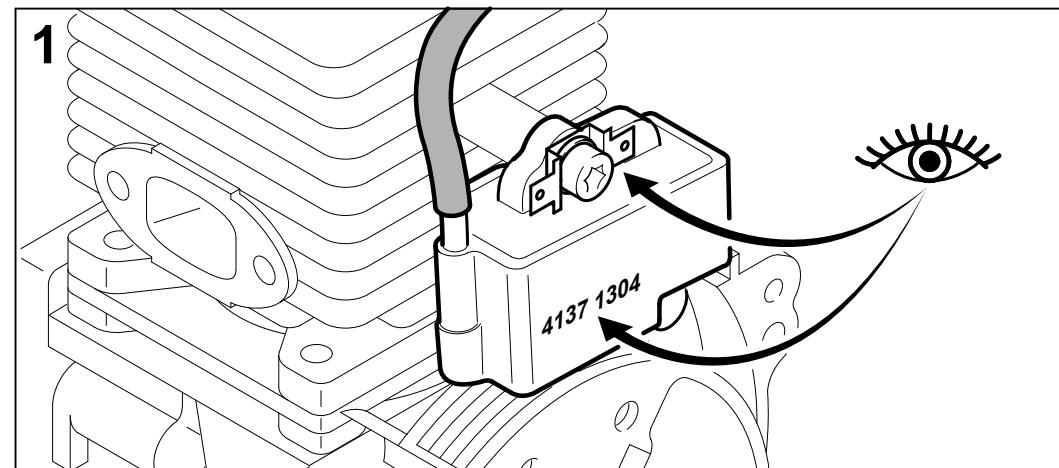
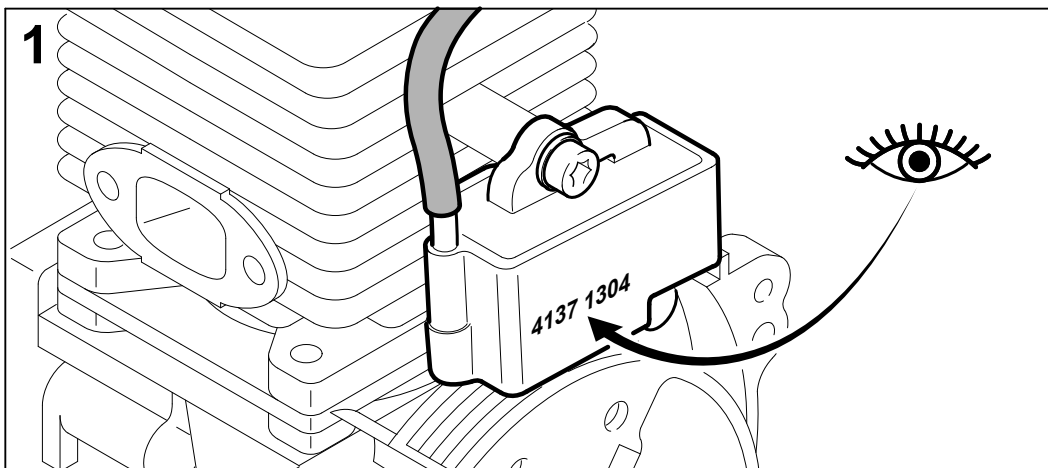
HT  
HTR  
KW  
KM  
PC  
SP

BG  
HS



0457 362 0021 A B13

## 4137 400 1350



BG  
HS

